

TECHNICAL DATA

Product type	Reverse osmosis watermaker
Application	Seawater for nautical application
Production	30 l/h $\pm 15\%$ (7,8 gal/h $\pm 15\%$) @35 ppm and 25 °C
Membrane	1x Membrane SW-2521
Rejection	99,5% (nominal)
Power supply	12 V $\pm 15\%$ DC 24 V $\pm 15\%$ DC
Absorption - Power required	9 A $\pm 15\%$ - 110 W $\pm 15\%$ (12 V) 4,5 A $\pm 15\%$ - 110 W $\pm 15\%$ (24 V)
Pump	Shurflo diaphragm pump
Pressure pump	7 - 8 bar
Flow rate pump	4,5 - 5 l/min
Water inlet temperature range	8 - 30 °C
Pre-filtration	1x 5micron filter 5"x2-1/2" 1x Active carbon filter 5"x2-1/2"
Weight	22 kg
Shipping dimensions	82x50x75 cm



HYDRAULIC CONNECTIONS

PUMP / FILTERS / NR VALVE

Seawater inlet	Hose barb DN16
Seawater outlet	Hose barb DN16

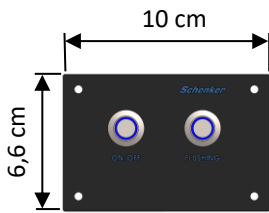
WATERMAKER

Seawater inlet	Hose barb DN16
Concentrated water outlet	Hose barb DN16
Fresh water outlet	Compression fitting 1/4" for hose 6x8

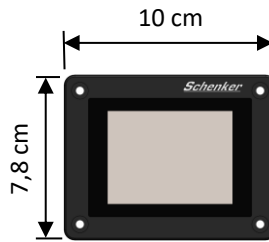
CONTROL SYSTEMS AND OPTIONAL DEVICES

Electronics	Basic / Minitouch
Automatic flushing	Standard
Safety control	High/low pressure Low voltage
Salinity monitoring	N.A.

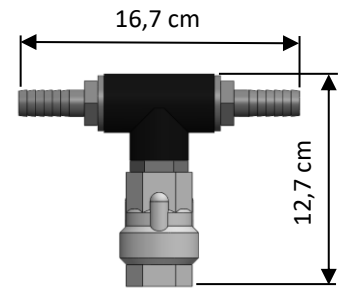
COMPONENTS



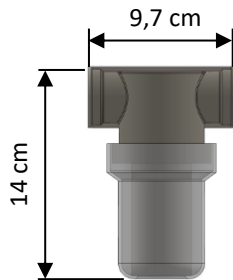
CONTROL PANEL (BASIC)
Depth: 3,2 cm
Cut dimensions: 7,6x4,4 cm



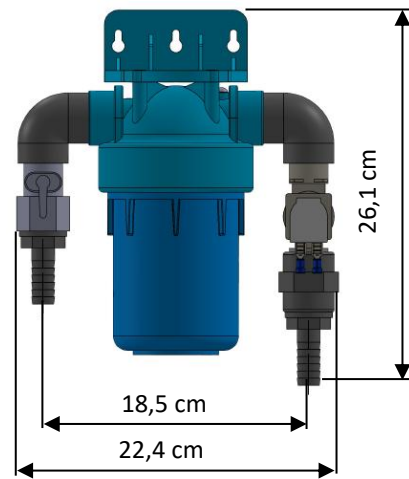
CONTROL PANEL (MINITOUCH)
Depth: 3,2 cm
Cut dimensions: 7,9x5,6 cm



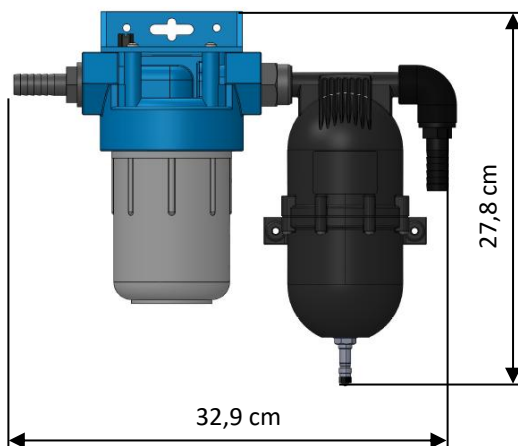
NON-RETURN VALVE
Depth: 4,7 cm



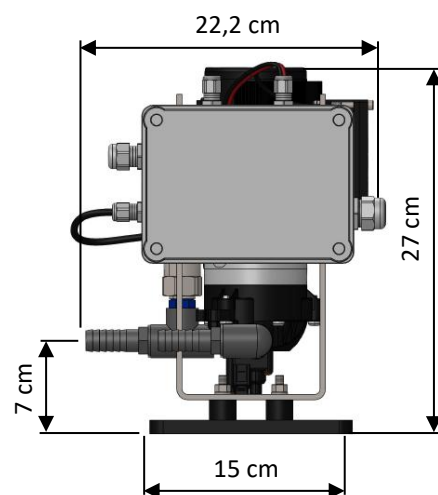
MESH FILTER GROUP
Depth: 9,1 cm



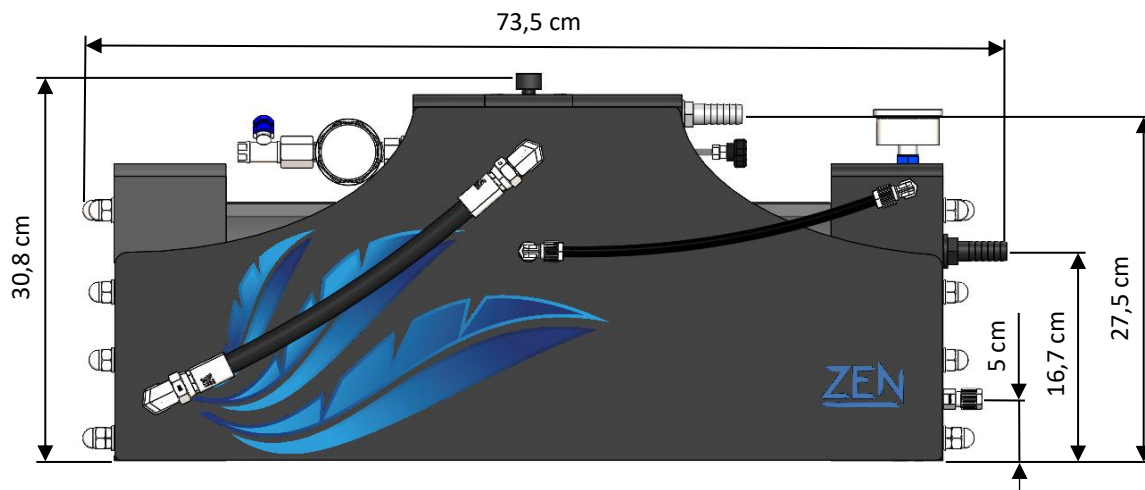
ACTIVE CARBON FILTER GROUP
Depth: 13,8 cm



5 MICRON FILTER GROUP
Depth: 11,6 cm

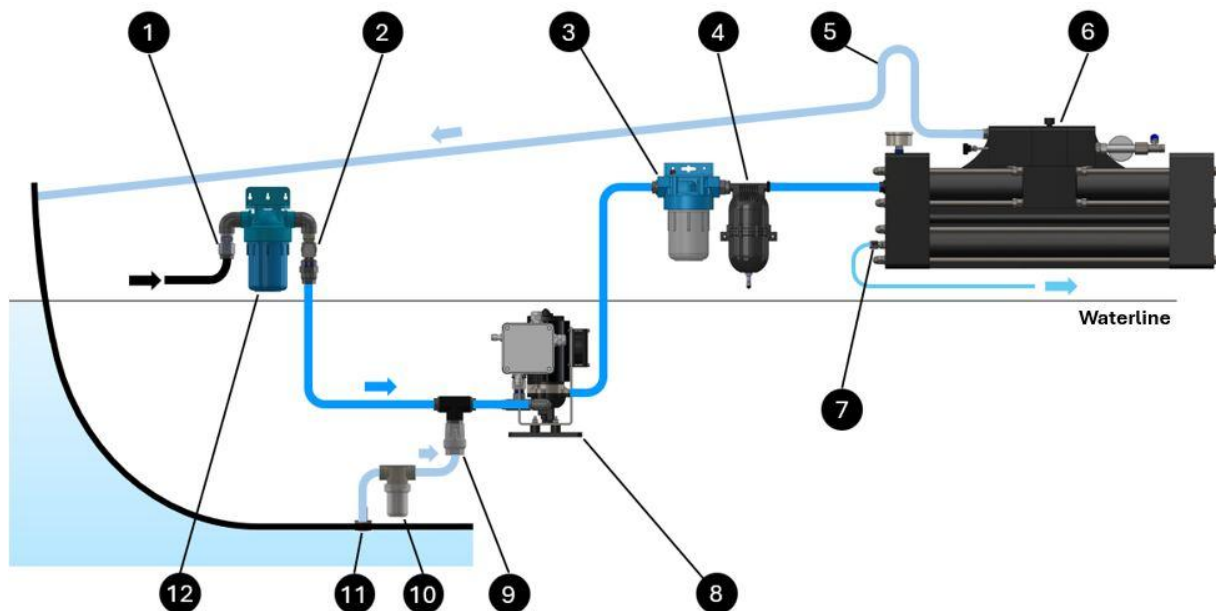


PUMP GROUP
Depth: 23 cm - Weight: 4,7 kg



WATERMAKER
Depth: 15,3 cm - Weight: 17,6 kg

INSTALLATION SCHEME



- | | |
|---------------------------------|-------------------------|
| 1 Pressurized fresh water valve | 7 Fresh water outlet |
| 2 Electrovalve | 8 Pump |
| 3 5 micron filter | 9 Non return valve |
| 4 Accumulator | 10 Mesh filter |
| 5 Swan neck upwater - Discharge | 11 Sea water inlet |
| 6 Watermaker | 12 Active carbon filter |

Postadress:

TRÄDGÅRDSTEKNIK AB
Helsingborgsvägen 578, Varalöv
262 96 ÄNGELHOLM

Telefon : 0431-222 90
Bg.nr : 5743-7980
Org.nr : 556409-6120

URL:

www.tradgardsteknik.se
E-postadress:
info@tradgardsteknik.se